

OFFLINE FILTRATION SYSTEMS

OF5HS & OF5HD Series

Single & Dual Stage Kidney Loop Systems



OF5HD



OF5HS

Description

HYDAC's off-line Kidney Loop System is a stationary version of the mobile filtration system (OFCS & OFCD). It is a compact, self-contained filtration system equipped with high efficiency, high capacity elements capable of removing particulate contamination and/or water quickly, conveniently and economically.

HY-TRAX manual fluid sampling system: HYDAC now offers the HY-TRAX manual fluid sampling system as an additional option allowing for real-time fluid condition monitoring. ISO particle counts are visually displayed on the CS1000. Users will now know when they have reached their desired ISO contamination levels.

CSI-C-11: HYDAC also offers the CSI-C-11 Communication Interface for WLAN or LAN transmission of data and data storage capabilities.

Features

- Modular base eliminates connections between components and minimizes leakage
- Base-ported filter provides easy element service from the top cap
- Visual Dirt Alarm® indicates when filter element needs to be changed
- Two 7/16 – 20 UNF sampling port included on all models

Applications

- Supplementing in-line filtration by system filters when adequate turnover cannot be attained
- Large volume systems requiring multiple filters in different locations
- Cleaning up a hydraulic system following component replacement

Technical Specifications

Flow Rating	7 gpm max (26.5 lpm) or 14 gpm max (53 lpm)
Maximum Viscosity	1000 SUS (216 cSt) Higher viscosity version available.
Maximum Operating Temperature	-20° to 150°F (-29° to 65°C)
Bypass Valve Setting	Cracking: 30 psi (2 bar)
Material	Manifold and cap: Cast aluminum Element case: Steel
Compatibility	All petroleum based hydraulic fluid. Contact factory for use with other fluids.
Motor	115 V AC Single phase 3/4 hp (7 gpm) or 1-1/2 hp (14 gpm)
Weight	OF5HS-1: 101 lb (45.9 kg) OF5HS-2: 112 lb (50.9 kg) OF5HS-3: 123 lb (55.9 kg) OF5HD-1: 117 lb (53.2 kg) OF5HD-2: 139 lb (63.2 kg) OF5HD-3: 161 lb (73.2 kg)

Model Code

OF5HD - 27 - BN 10 - BN 10 - B - A - 14 -

Series

- OF5HS = Single Filter System
- OF5HD = Dual Filter System

Element Length

- 1-09 = One 9" Element Supplied
- 2-09 = Two 9" Elements Supplied (*must be same micron rating*)
- 3-09 = Three 9" Elements Supplied (*must be same micron rating*)
- 18 = One 18" Element Supplied
- 27 = One 27" Element supplied

Element Media

- BN = Betamicon® AM* = Aquamicon® G = Betamicon GeoSeal®

Filtration Rating (BN only - AM has no rating) (microns)

- 3, 5, 10, 25

Element Media (OF5HD only)

- BN = Betamicon® AM* = Aquamicon® G = Betamicon GeoSeal®

Filtration Rating (BN only - AM has no rating) (microns)

- 3, 5, 10, 25

Seals

- B = Buna N V = FPM

Voltage

- (omit) = 115 VAC 60HZ/1Phase
- A = 230 VAC 60HZ/3Phase C = 220 VAC 50HZ/1Phase
- B = 460 VAC 60HZ/3Phase D = 230 VAC 60HZ/1Phase

Pump Size

- 07 = 7 gpm 14 = 14 gpm

Options

- G2185 = for 14 gpm unit; up to 2500 SUS fluids; flow reduced to ~10 gpm
- G2187 = for 7 gpm unit; up to 2500 SUS fluids; flow reduced to ~3 gpm
- PC = HyTRAX Contamination Monitoring System *Note: Particle Counter Option only available in 115V / 60 Hz power supply*
- CSI = CSI-C-11 Sensor Interface Option for data acquisition (only with PC option)
- CSI-W = CSI-C-11 Sensor Interface Option for data acquisition with AS1008 Water Saturation Sensor (only with PC option)

NOTE: Contact factory if EPR seals are required.

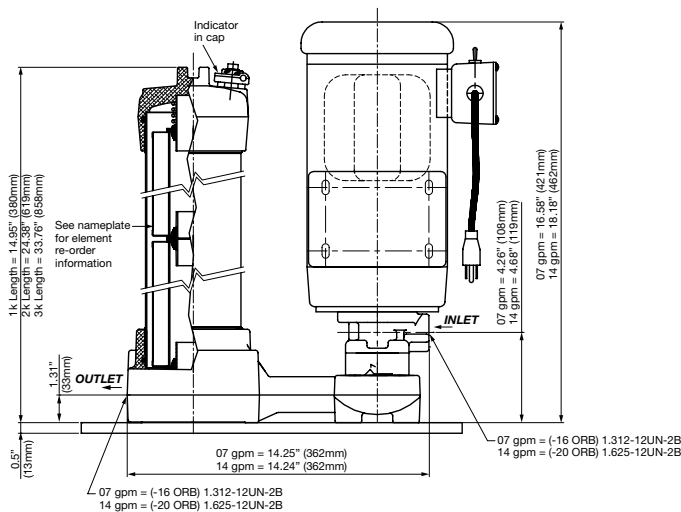
*Aquamicon media should be in the first filter housing followed by the BN media in the second housing.

For replacement element part numbers, please see Section E - REPLACEMENT ELEMENTS of this catalog.

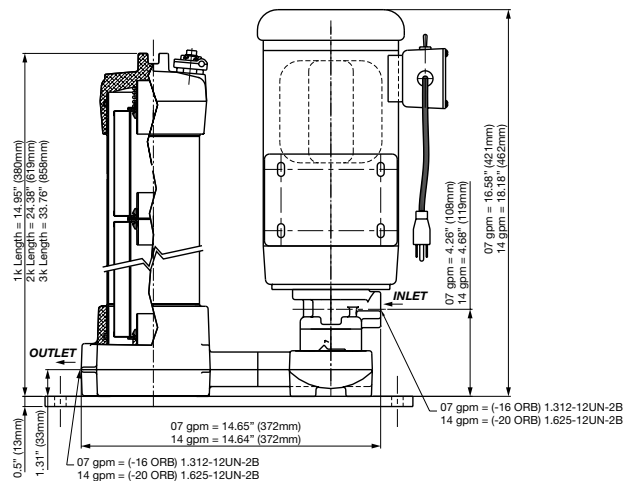
Model Codes Containing RED are non-standard items - Minimum quantities and longer lead times may apply - Contact HYDAC for information and availability.

Dimensions

OF5HS



OF5HD



Dimensions are for general information only, all critical dimensions should be verified by requesting a certified print.