



Electronic Pressure Transmitter HDA 4400 with Flush Membrane

Description:

Pressure transmitter HDA 4400 with a flush membrane was designed specifically for applications in which a standard pressure connection could become blocked, clogged or frozen by the particular medium used. Further applications include processes where the medium changes frequently and any residues could cause mixing or contamination of the media.

Like the standard model, the HDA 4400 with flush membrane has a stainless steel measurement cell with a thin film strain gauge for relative pressure measurement in the high pressure range.

The pressure connection is achieved with a fully-sealed stainless steel front membrane filled internally with a pressure transfer fluid. The process pressure is transmitted hydrostatically to the measurement cell via the pressure transfer fluid.

The output signals 4 .. 20 mA or 0 .. 10 V enable connection to all HYDAC measurement and control devices as well as connection to standard evaluation systems (e.g PLC controls).

Special features:

- Pressure connection has a flush membrane
- Accuracy $\leq 0.5\%$ FS B.F.S.L.
- Highly robust sensor cell
- Very small temperature error
- Excellent EMC characteristics
- Small, compact design

Technical data:

Input data	
Measuring ranges	500, 750, 1000, 1500, 3000, 5000, 6000, 9000 psi
Overload pressures	1160, 1740, 2900, 2900, 7250, 11600, 11600, 13050 psi
Burst pressures ¹⁾	2900, 4350, 7250, 7250, 14500, 29000, 29000, 29000 psi
Mechanical connection	G1/2 A DIN 3852 G1/2 with addit. front O-ring seal G1/4 with addit. front O-ring seal G1/2 with addit. front O-ring seal and cooling section
Pressure transfer fluid	Silicone-free oil
Torque value	33lb-ft (45 Nm) for G1/2, G1/2 A 15lb-ft (20 Nm) for G1/4
Parts in contact with medium ²⁾	Mech. conn.: Stainless steel Seal: FPM O-ring: FPM
Output data	
Output signal, permitted load resistance	4 .. 20 mA, 2 conductor $R_{\text{max}} = (U_{\text{B}} - 8 \text{ V}) / 20 \text{ mA}$ [k Ω] 0 .. 10 V, 3 conductor $R_{\text{min}} = 2 \text{ k}\Omega$
Accuracy to DIN 16086	$\leq \pm 0.5\%$ FS typ.
Max. setting	$\leq \pm 1\%$ FS max.
Accuracy at min. setting (B.F.S.L.)	$\leq \pm 0.25\%$ FS typ. $\leq \pm 0.5\%$ FS max.
Temperature compensation	$\leq \pm 0.0085\%$ FS / °F typ.
Zero point	$\leq \pm 0.014\%$ FS / °F max.
Temperature compensation	$\leq \pm 0.0085\%$ FS / °F typ.
Over range	$\leq \pm 0.014\%$ FS / °F max.
Non-linearity at max. setting to DIN 16086	$\leq \pm 0.3\%$ FS max.
Hysteresis	$\leq \pm 0.4\%$ FS max.
Repeatability	$\leq \pm 0.1\%$ FS max.
Rise time	$\leq 1 \text{ ms}$
Long-term drift	$\leq \pm 0.3\%$ FS typ. / year
Environmental conditions	
Compensation temperature range	-13..+185 °F
Operating temperature range	-40..+185 °F
Storage temperature range	-40..+212 °F
Fluid temperature range ³⁾	-40..+212 °F / -13..+212 °F -40..+302°F / -13..+302°F for G1/2 with cooling section
CE mark	EN 61000-6-1 / 2 / 3 / 4
e mark ⁴⁾	Certificate No. E318391
Vibration resistance to DIN EN 60068-2-6 at 10 .. 500 Hz	$\leq 20 \text{ g}$
Protection class to IEC 60529	IP 65 (for EN175301-803 (DIN 43650)) IP 67 (for M12x1, providing an IP 67 female connector is used)
Other data	
Supply voltage	8 .. 30 V DC 2 conductor 12 .. 30 V DC 3 conductor - limited energy - according to 9.3 UL 61010; Class 2; UL 1310/1585; LPS UL 60950
for use acc. to UL spec.	
Residual ripple of supply voltage	$\leq 5\%$
Current consumption	$\leq 25 \text{ mA}$
Life expectancy	> 10 million cycles (0 .. 100 % FS)
Weight	~ 150 g

Note: Reverse polarity protection of the supply voltage, excess voltage, override and short circuit protection are provided.

FS (Full Scale) = relative to complete measuring range, B.F.S.L. = Best Fit Straight Line

¹⁾ G1/2 with additional front O-ring seal max. 21750 psi

²⁾ Other seal materials on request

³⁾ -13 °F with FPM seal, -40 °F on request

⁴⁾ Environmental conditions according to 1.4.2 UL 61010-1; C22.2 No. 61010-1

Model code:

HDA 4 4 Z X - X - XXXX - XXX - 000 - PSI

Mechanical process connection

Z = Flush membrane

Electrical connection

5 = Male, 3 pole + PE, EN 175301-803 (DIN 43650) (female connector supplied)

6 = Male M12x1, 4 pole (female connector not supplied)

Signal

A = 4 .. 20 mA, 2 conductor

B = 0 .. 10 V, 3 conductor

Pressure ranges in psi

0500, 0750, 1000, 1500, 3000, 5000, 6000, 9000

Mechanical connection

G01 = G1/2 A, DIN 3852

G02 = G1/2 with additional front O-ring seal

G04 = G1/4 with additional front O-ring seal

G12 = G1/2 with additional front O-ring seal and cooling section

Modification number

000 = Standard

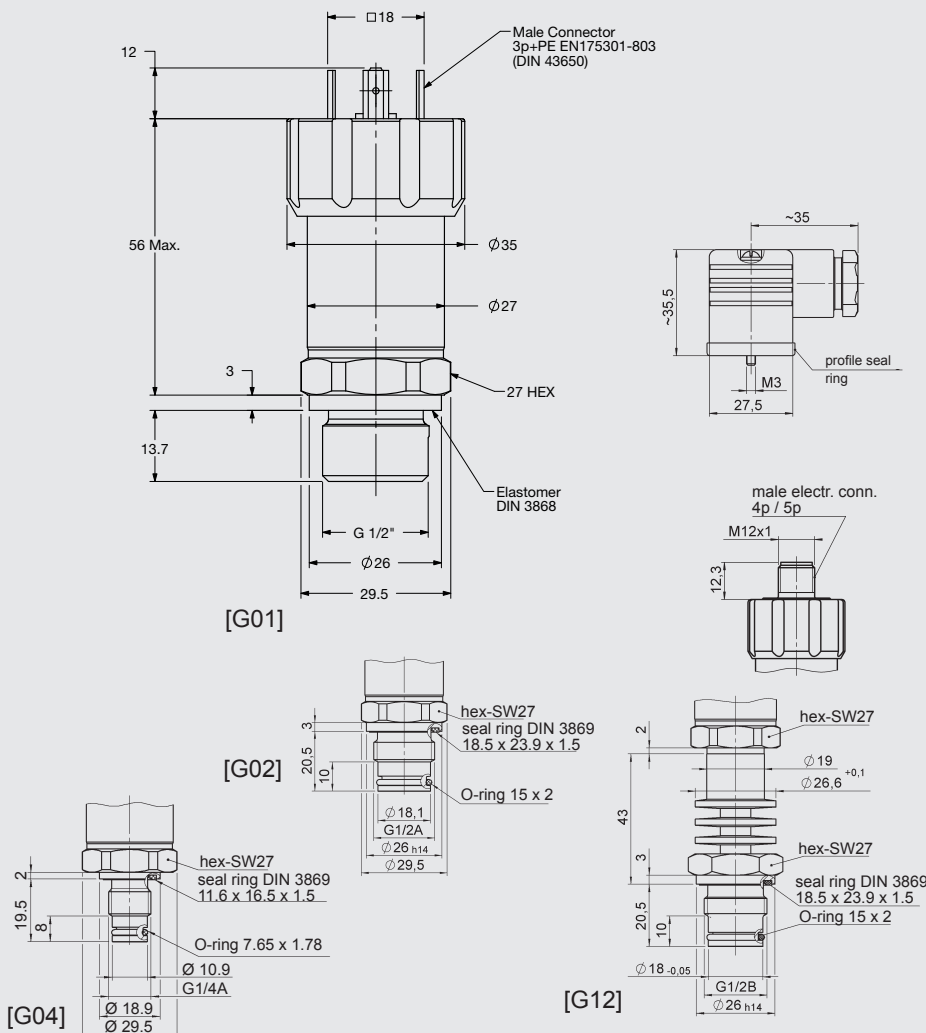
Version

PSI = Pounds per square inch

Accessories:

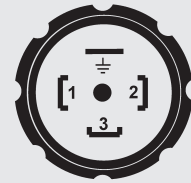
Appropriate accessories such as female electrical connectors can be found in the Accessories brochure.

Dimensions:



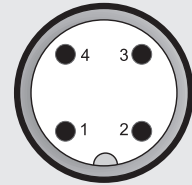
Pin connections:

EN175301-803 (DIN 43650)



Pin	HDA 44Z5-A	HDA 44Z5-B
1	Signal+	+U _B
2	Signal-	0V
3	n.c.	Signal
⊥	Housing	Housing

M12x1



Pin	HDA 44Z6-A	HDA 44Z6-B
1	Signal+	+U _B
2	n.c.	n.c.
3	Signal-	0V
4	n.c.	Signal

Note:

The information in this brochure relates to the operating conditions and applications described.

For applications and operating conditions not described, please contact the relevant technical department.

Subject to technical modifications.

For bar ranges see European Catalog

HYDAC ELECTRONICS

90 Southland Dr. Bethlehem, PA 18107

Telephone: 610 266 0100

E-mail: electronics@hydacusa.com

Website: www.hydac-na.com